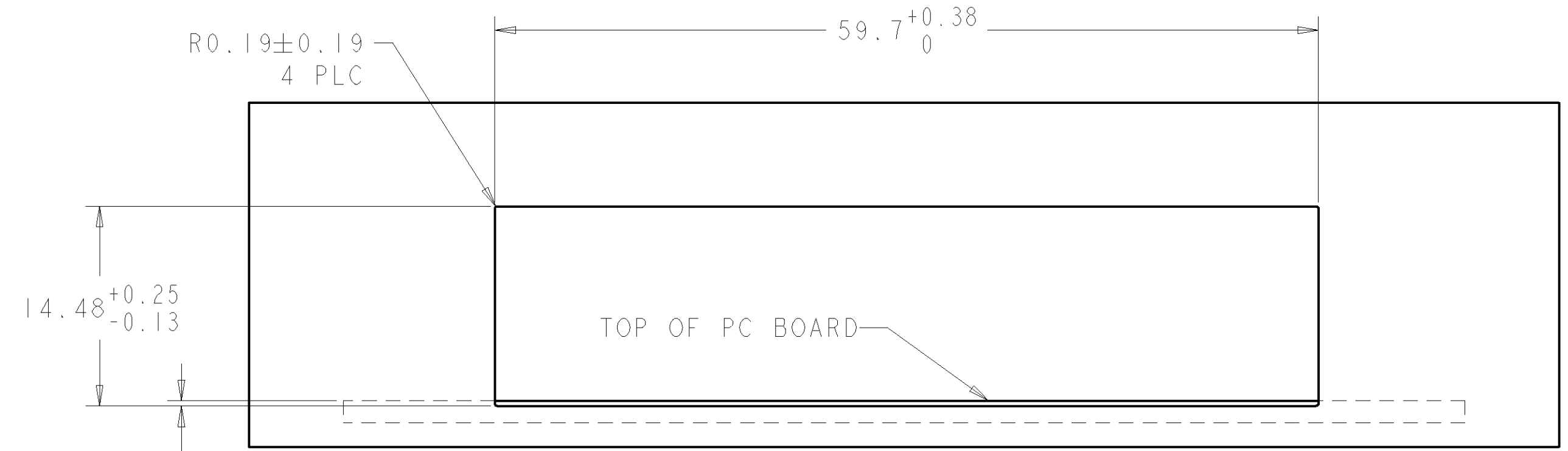
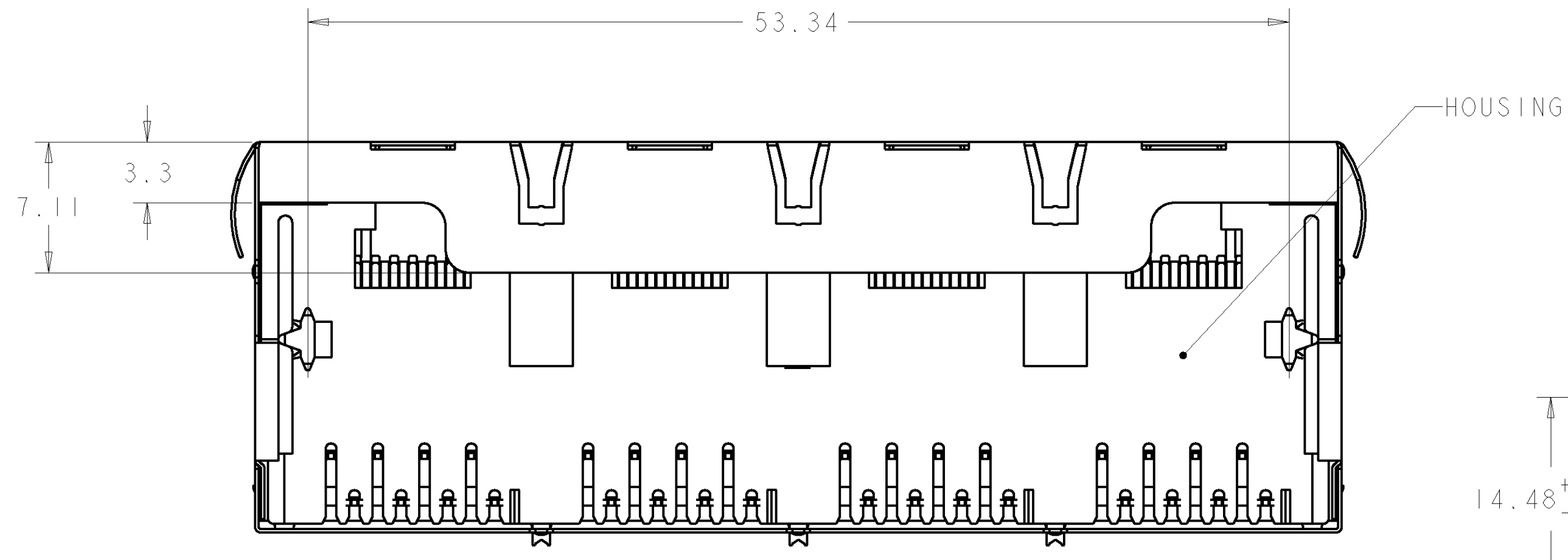
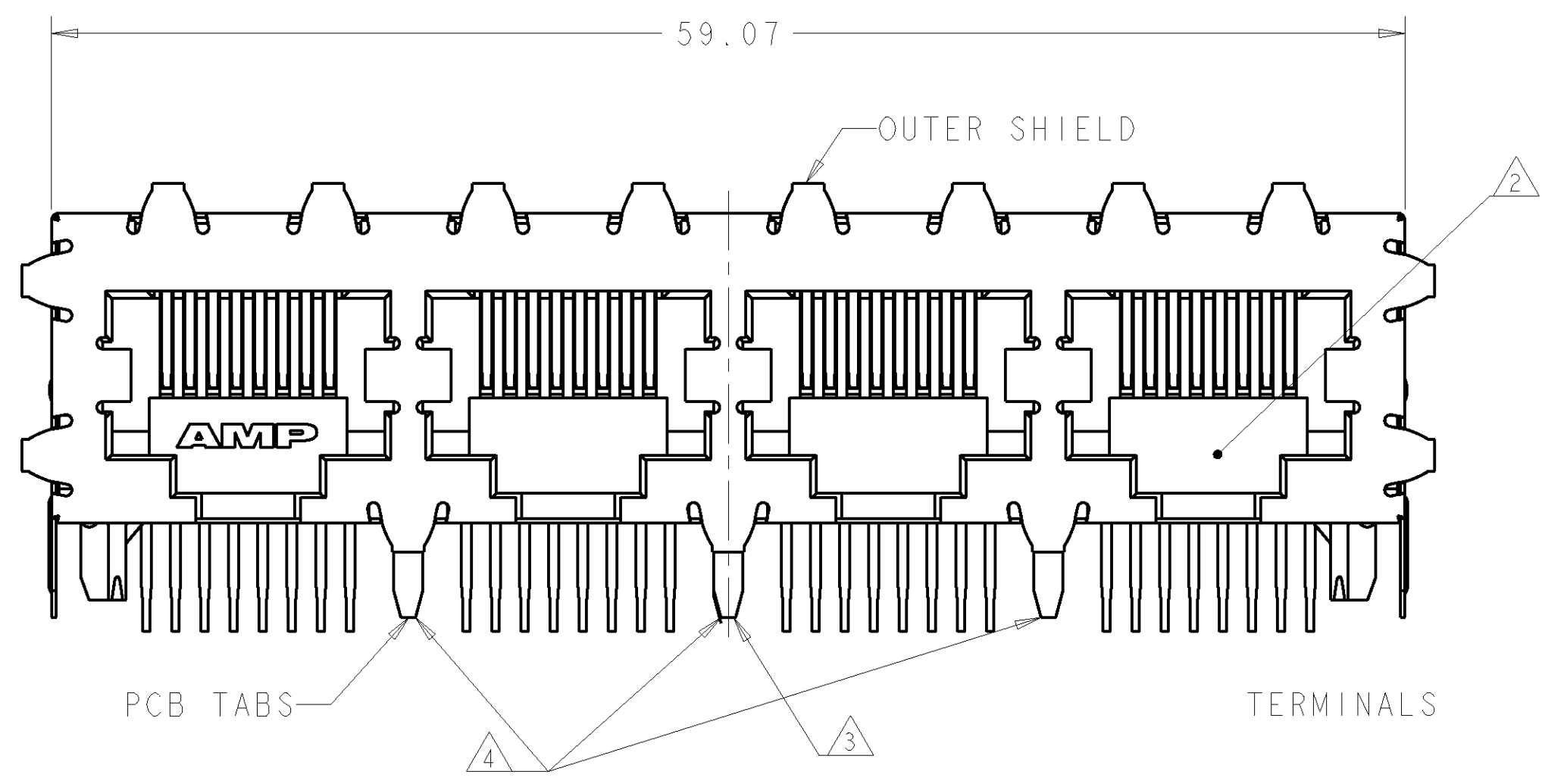
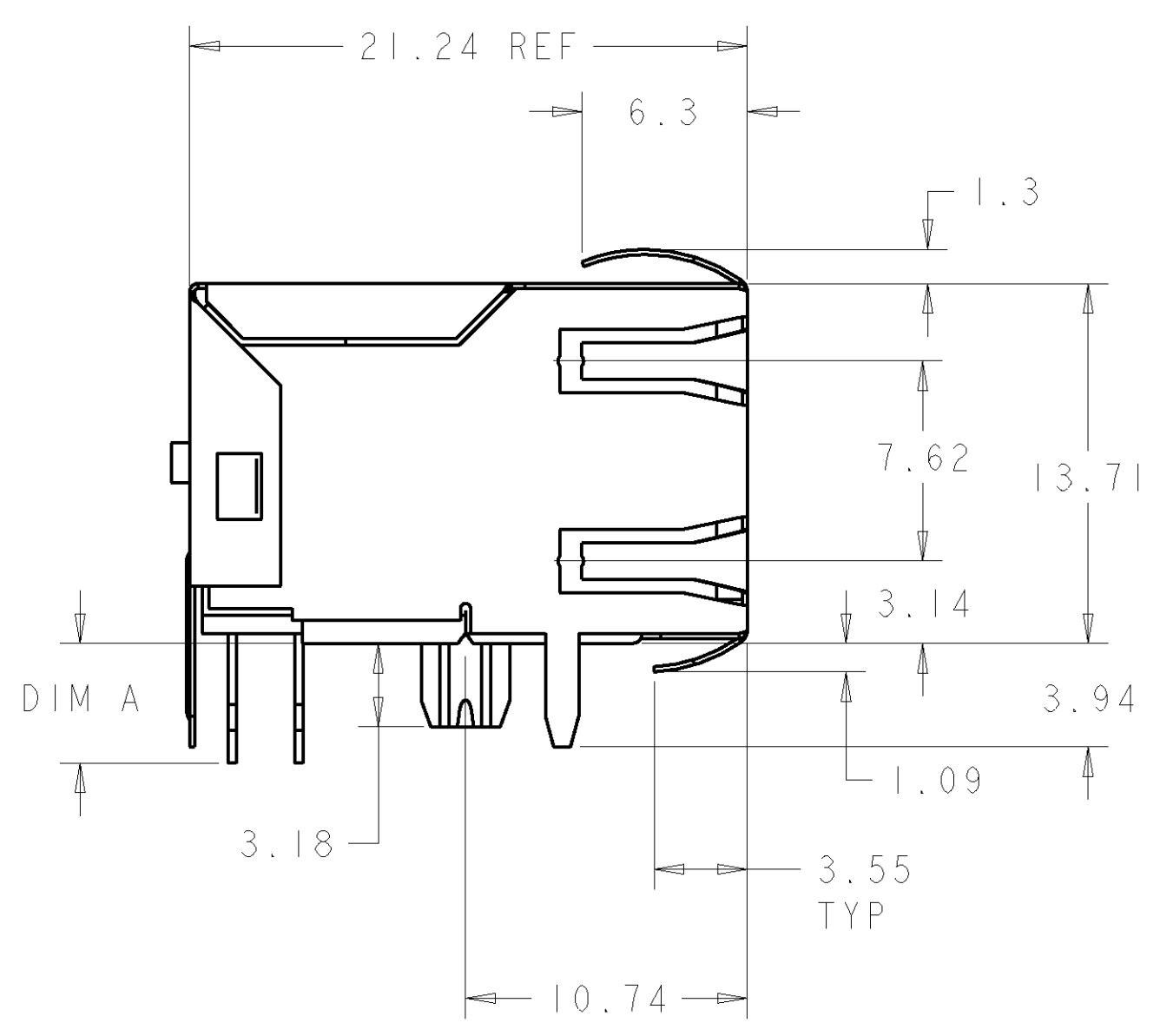
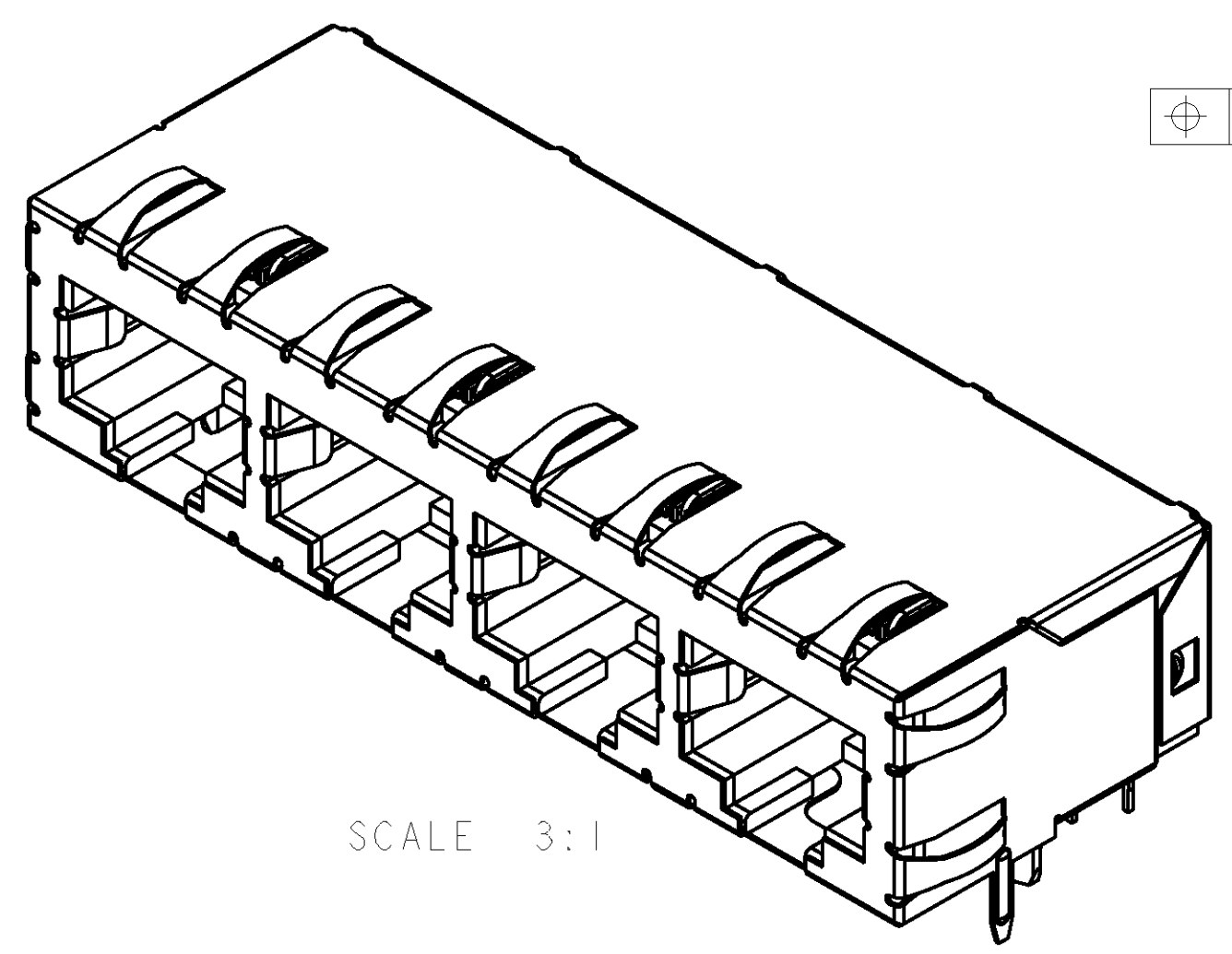


LOC	DIST	REV	DATE	BY	CHK	APPD
AA	22					
REVISED PER ECO-11-005033			20APR11	RK	HMR	

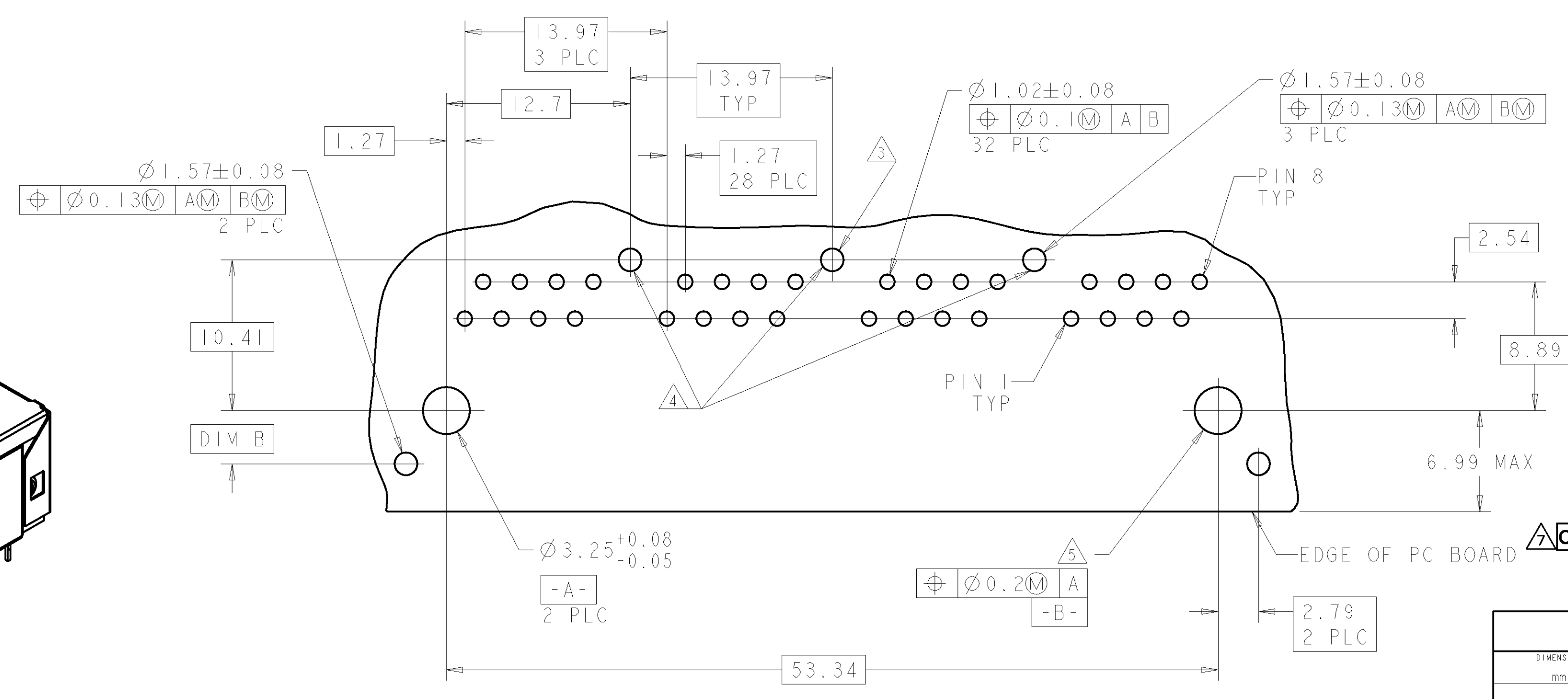


SUGGESTED PANEL CUTOUT DIMENSIONS
SCALE 3:1

- MATERIAL: HOUSING - PCT POLYESTER, BLACK, UL 94V-0
TERMINALS: 0.305 THICK PHOS BRONZE PLATED WITH .0013mm MINIMUM THICK HARD GOLD IN LOCALIZED AREA AND .002mm MINIMUM THICK MATTE TIN IN SOLDER AREA OVER .0013mm MINIMUM THICK NICKEL UNDERPLATE
SHIELD - .196 THICK COPPER ALLOY PLATED WITH .0013mm MINIMUM NICKEL AND .002mm MINIMUM HOT TIN DIP ON PCB GROUND TABS
- JACK CAVITY CONFORMS TO FCC RULES AND REGULATIONS, PART 68 SUBPART F
- PCB HOLES/TABS USED FOR -3
- PCB HOLES/TABS USED FOR -2 AND -4
- USE #30 DRILL BIT OR 3.25mm DRILL BIT WHEN PRODUCING THESE PCB HOLES
- RECOMMENDED APPLICATIONS: FAST ETHERNET, 10 BASE-T ETHERNET, AND 10/100 BASE-T ETHERNET (CAT 5 TWO PAIR 1/2, 3/6)
- OBsolete PARTS: OBSOLETE CIS STREAMLINING PER D.RENAUD/D.SINISI



SCALE 3:1



PC BOARD VIEWED FROM COMPONENT SIDE OF BOARD
SCALE 4:1

3.68	3	3.56	6339167-4
4.57	1	3.56	6339167-3
4.57	3	3.56	6339167-2
4.57	0	3.05	6339167-1
DIM B	NUMBER OF REAR PCB TABS	DIM A	PART NO.

OBsolete

DIMENSIONS: mm 		TOLERANCES UNLESS OTHERWISE SPECIFIED: 9 PLC ± 3 PLC ±.25 3 PLC ± 4 PLC ± ANGLES ±		DIM: SCHOLL/J.A. MATYK 09MAY2005 CHK: J. WESTMAN 09MAY2005 APVD: S. FLICKINGER 09MAY2005 PRODUCT SPEC: 108-1163-9 APPLICATION SPEC: 114-2048 WEIGHT: - CUSTOMER DRAWING		STE TE Connectivity NAME: ASSEMBLY, MULTI-PORT, 1X4, 8 POSITION, SHIELDED, WAVE PANEL GROUND SIZE: CAGE CODE DRAWING NO: A100779 C=6339167 RESTRICTED TO: - SCALE: 4:1 SHEET 1 OF 1 REV: A3	
--------------------	--	---	--	---	--	---	--